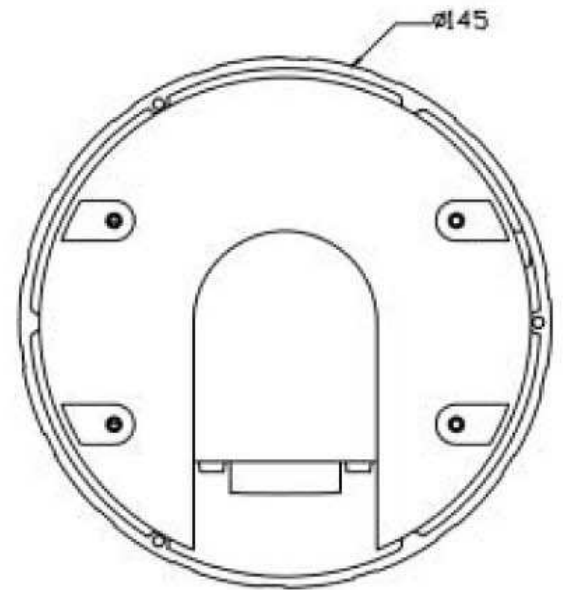
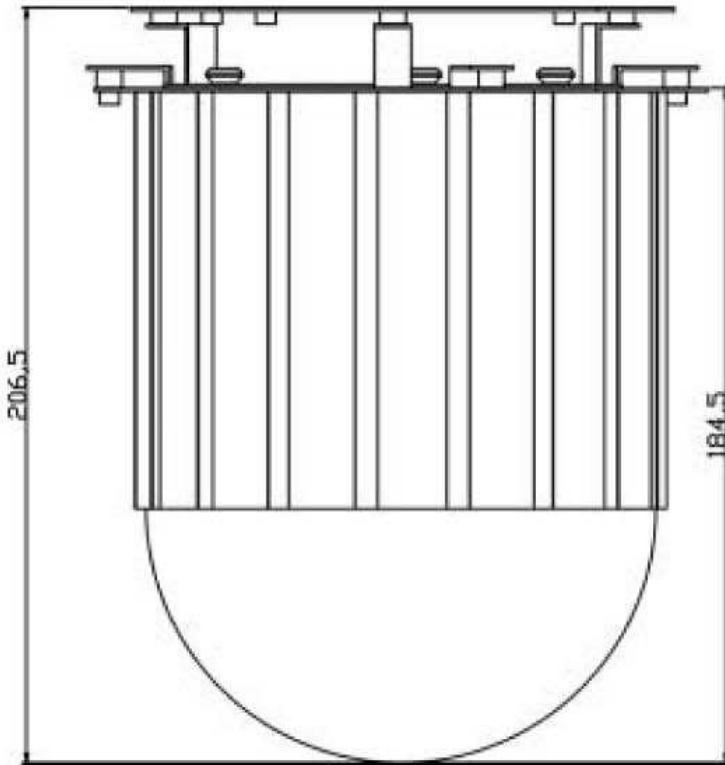


220X SPEED DOME CAMERA

MODEL:YK2E00



FEATURES:

- 360° Continuous Pan Rotation
- Continuous Auto Focus
- Variable Speed 1°~300°/Sec
- 128 Presets
- 22X Zoom, 10X Electronic Zoom
- Advanced DSP Camera
 - Auto White Balance
 - Backlight Compensation
 - Auto Iris Control
- Remote Control via RS-485
- Built in 6 Alarm Inputs and one Relay Output
- On Screen Display for Camera Control
- 12VDC.

220X SPEED DOME CAMERA

MODEL:YK2E00

SPECIFICATIONS *(Note: Design and specifications are subject to change without prior notice.)*

Environment	Indoor / Outdoor		
Controller Interface	RS-485		
O.P Temperature	-10°~50° C		
Power	12Volts DC		
Power Consumption	13W		
Dimension	φ 145x206.5mm		
Weight	2 Kg		
Pan/Tilt control	PAN	360°	
	Tilt	0°~90°	
	SPEED	Manual Speed	1°~150°/sec
		Auto Speed	1°~300°/sec
Compatible Protocol	YOKO/DSCP/L		
Preset Point	128		
Sequence	6		
OSD	Zone title/control menu		
System auto RESET	YES		
Auto turn around	YES		

CAMERA SPECIFICATIONS *(Note: Design and specifications are subject to change without prior notice.)*

Total Pixels	NTSC:811(H)X508(V), PAL:795(H)X596(V)
Effective Pixels	NTSC:768(H)X494(V), PAL:752(H)X582(V)
Sensor Type	1/4" CCD
Scanning System	PAL, NTSC, 2:1 interlace
Synchronization	Internal / Line Lock
Video Output	1.0Vpp / 75Ω, BNC
Horizontal Resolution	NTSC:480 TVL, PAL:480 TVL
S/N Ratio	More than 48dB
Minimum Illumination	1.01 lux (30 IRE)
Lens	f=3.9 ~ 85.8mm (±5%), F1.6~3.7 (±5%)
Zoom Ratio	22X optical zoom
Digital Zoom	X10 variable
Zoom Speed	3.7 sec (Opt.)
Focus Mode	Auto/Manual
White Balance	Auto/Manual
Iris Control	Auto/Manual
Electronic Shutter	1/60~1/10k sec. (NTSC), 1/50~1/10k sec. (PAL)
AGC Control	Auto/Manual
BLC	On/Off